



## TDV 03 MICROPROCESSOR- BASED DIGITAL ELECTRONIC PANEL METER

### TECHNICAL DATA

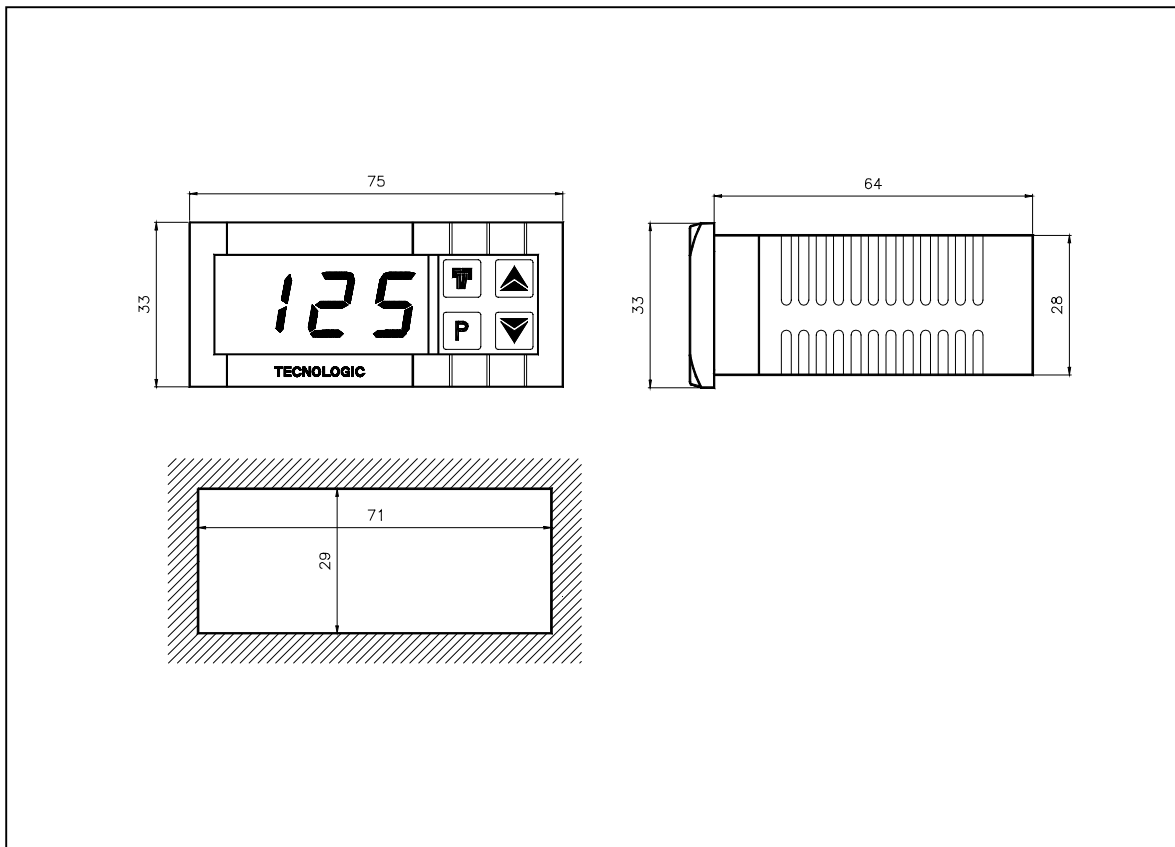
MECHANICAL DATA	
Housing	Self-extinguishing plastic, UL 94 V0
Dimensions	33x75 mm – depth 64 mm
Weight	90 g approx.
Connections	2,5 mm <sup>2</sup> screw terminal block
Mounting	Flush in panel in 29x71 mm hole
Front panel protection	IP 65 mounted in panel with gasket
ELECTRICAL DATA	
Power supply	12, 24 VAC/VDC +/-10% 110, 230 VAC with transformer TCTR
AC Frequency	50 / 60 Hz
Power consumption	3 VA approx.
INPUT DATA	
Thermocouple	J, K, S programmable – According to IEC 584-2 accuracy class 1 or 2
Thermoresistance	Pt 100 IEC, Ni 100 programmable – According to IEC 751 accuracy class A or B
Thermistor	PTC KTY 81-121 990 $\Omega$ at 25°C
Current input	0/4...20 mA
Voltage input	0...10 V
FUNCTIONAL DATA	
Overall accuracy	+/-0.5% fs
Sampling rate	1 sample per second
Display resolution	According to the used probe 1/0,1/5/0,5
Measurement range	According to the used probe
Unit of measurement	°C - °F, programmable
Operating temperature	0...55°C
Operating humidity	30...95 RH% without condensation

## MEASUREMENT RANGE TABLE

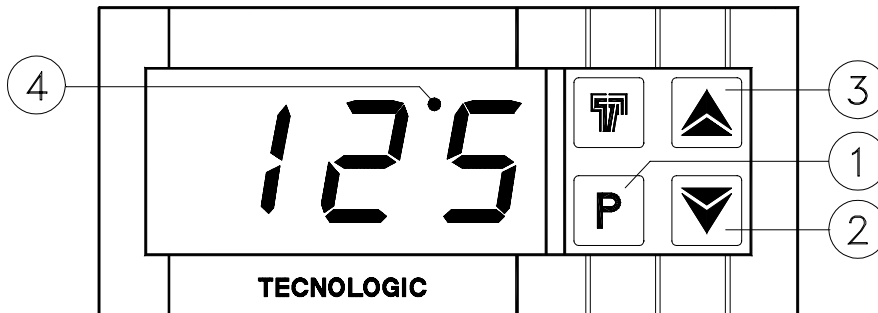
PROBE	RANGE 4 DIGIT	RANGE 4 DIGIT with D.P.
PTC	-50 ... +150°C -58 ... +302°F	-9.9 ... +99.9°C -9.9 ... +999.9°F
Pt 100 (Pt)	-99 ... +600°C -99 ... +999°F	-9.9 ... +99.9°C -9.9 ... +999.9°F
Ni 100 (ni)	-50 ... +150°C -58 ... +302°F	-9.9 ... +99.9°C -9.9 ... +999.9°F
Tc J (FE)	0 ... +800°C +32 ... +1472°F	---
Tc K (Cr)	0 ... +999°C +32 ... +999°F	---
Tc S (rh)	0 ... +999°C +32 ... +999°F	---

PROBE	RANGE 4 DIGIT	RANGE 4 DIGIT with D.P.
TRH 01/02 humid. (4...20mA)	20 ... 99%RH	20.0 ... 99.9%RH
TRH 02 temp.	-10 ... +70°C +14 ... +158°F	-10.0 ... +70.0°C +14.0 ... +158.0°F
TPR 01 (4...20mA)	0 ... +7bar	-0.5 ... +7.0bar
TPR 02 (4...20mA)	-99 ... 999	-9.9 ... 99.9
4...20mA, 0...20mA, 0...10V (gener.)	-99 ... 999	-9.9 ... 99.9

## MECHANICAL DIMENSIONS (mm)



## FRONT PANEL DESCRIPTION



### 1 -Key P

It's used to program some parameters.

### 3 - Key UP

It increases the values to be programmed, one digit per time, or permits to select the parameters.

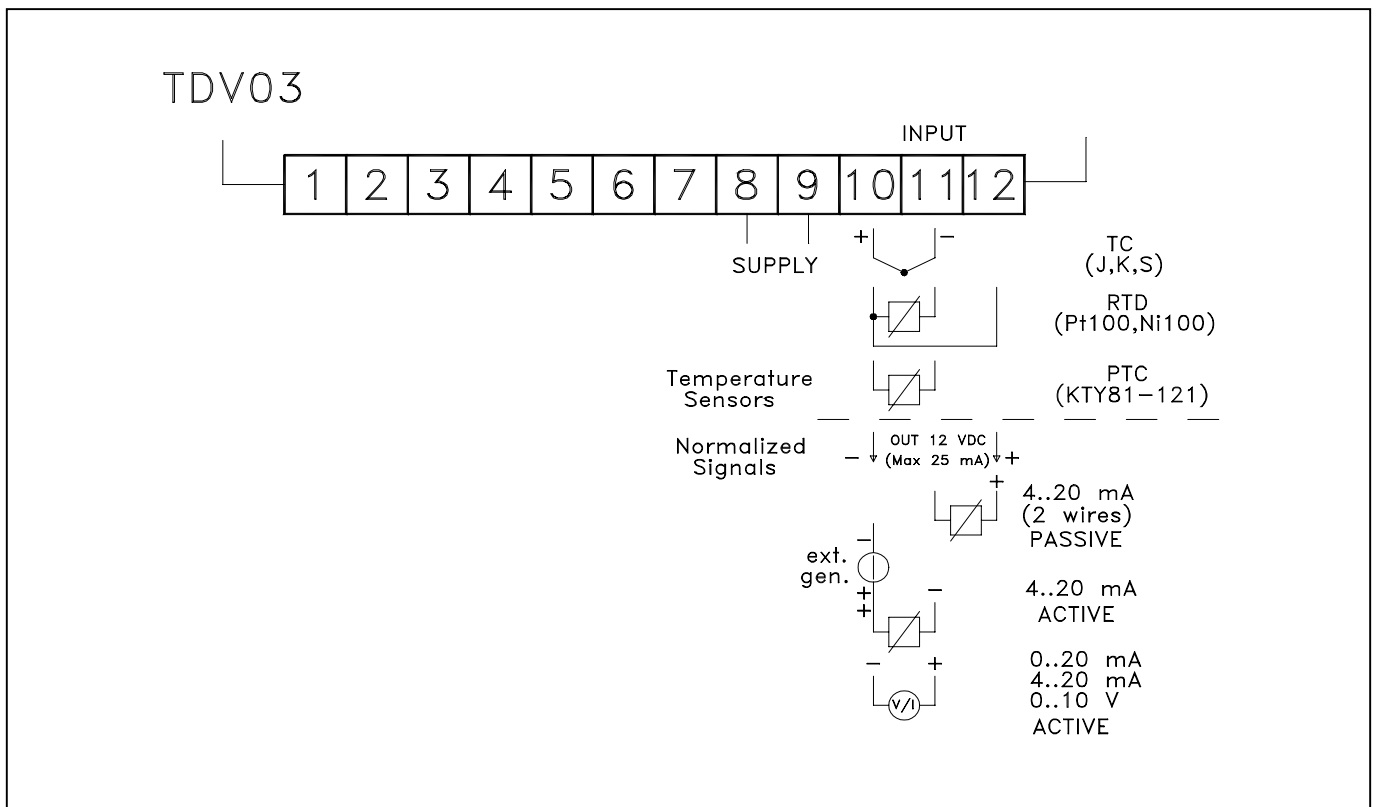
### 2 -Key DOWN

It decreases the values to be programmed, one digit per time, or permits to select the parameters.

### 4 - Led SET

It indicates the access into the parameters programming.

## CONNECTIONS DIAGRAM



**▲ CE Conformity: CEE EMC 89/36 (EN 50081-1, EN 50082-1)  
CEE BT 73/23 and 93/68 (EN 61010-1)**

---

**GESINT S.r.l. - Via Perosi, 5 - 20010 Bareggio (MI) - ITALY  
Tel. +39-02-9014633 / +39-335-6282615 - Fax +39-02-90362295  
WWW.GESINTSRL.IT - E-mail: info@gesintsrl.it**