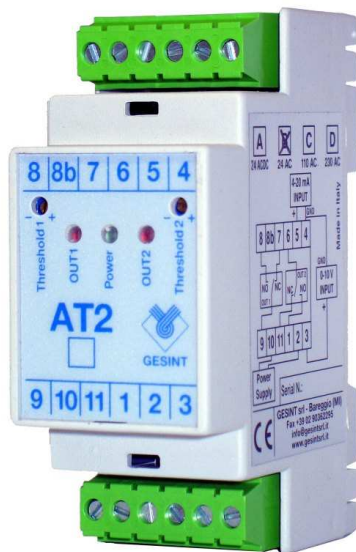




AT2

2 current or voltage
threshold control unit

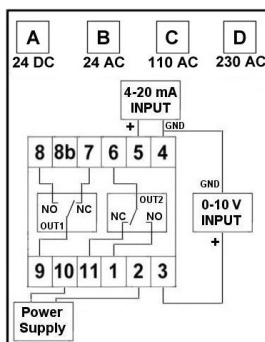


Technical data

Power supply:	24VAC/DC switching 24VAC - 110VAC - 230VAC
Power consumption:	2VA / 1,8W max
Input signal:	4-20mA or 0-10V
Input impedance:	Max 250Ω (mA) or Min 10KΩ (V)
Output:	2 SPDT relays
Hysteresis:	2% fixed
Contact rating:	7A @ 250 VAC (resistive load) 3A @ 230 VAC (inductive load)
Adjustment:	2 multiturn trimmer
Visual signalling:	Green LED → Power supply Red LED → Threshold
Protection:	IP20
Storage temperature:	from -30 to +80°C
Working temperature:	from -20 to +60°C
Relative humidity:	from 0 to 85%, no condensate
Installation:	35 mm DIN rail
Dimensions:	90(H) x 35(L) x 60(P) mm
Electrical connection:	Removable terminal board

CE mark according to *Directive 89/336/CEE*, complies with the following harmonised regulations: *EN50081-1, EN 50082-2, EN55022, EN61000-4-2, EN61000-4-3, EN61000-4-4, EN61000-4-5, EN61000-4-6, EN61000-4-11* and *Low Voltage Directive 73/23/CEE* and subsequent modifications.

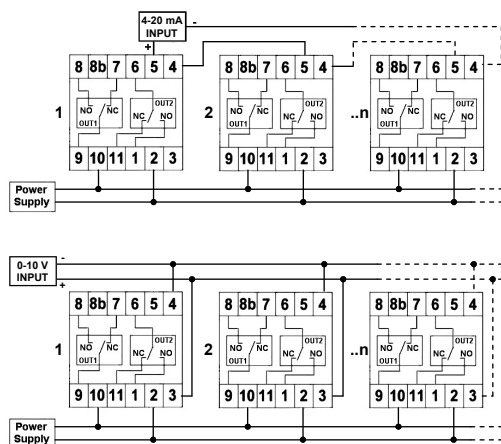
Electrical connections



The AT2 control unit can work with 4-20mA or 0-10Vdc input, based on the electrical connection done.

It is recommended to use a connection cable of at least 0,5mmq section and a maximum length of 250mt. Connection cables must have separate run from power cables.

If your application need more than 2 threshold, it is possible to create a series (current input) or parallel (voltage input) connection, following these schemas:



It is recommended to check the maximum load, if used with current input, or the minimum load, if used with voltage input supported by the output of the bound transmitter.

General

AT2 is a control unit with 2 adjustable threshold and 4-20mA or 0-10Vdc input. It can be bound together with any instruments that has a current/voltage output as pressure transmitter, PT100 converter, capacitive probe amplifier and level transmitter.

The set point of the two threshold are independent and can be changed using the trimmers on the front of the instrument. When the input signal reach the set point, relay and red LED change their state.

Calibration

To adjust the thresholds of the instrument, you need to connect a calibrator or a transmitter with the real output signal and follow this procedure:

- 1) Rotating counterclockwise, move the trimmer to minimum.
- 2) Rotate clockwise the trimmer until the red LED lit.
- 3) Rotate counterclockwise the trimmer until the red LED unlit.
- 4) Move the trimmer in an intermediate position between the points that provoke the change of relay state.

Relays are normally energized, so the red LED is lit and contact opened when the input signal is higher than the set threshold.

Warranty

The warranty is valid for 12 months from purchase, and expires if instrument is improperly used or not correctly installed on system.



GESINT
WWW.GESINTSRL.IT

GESINT S.R.L.

Via Perosi, 5
20010 Bareggio (MI) - ITALY
Tel. 02/9014633 - 335/6282615
Fax 02/90362295
E-mail: info@gesintsrl.it