



TURBINE WATER METER FOR CLEAR WATER GSD5 - USLC - DALC SERIES



GSD5
DN 13 / 20

Liters/impulse: 1-10-100-1000
Cable length: 3 meters



USLC
DN 13 / 20

Liters/impulse: 0,25-0,5-1-2,5-5-10-25-50-100-250-500-1000
Cable length: 2 meters

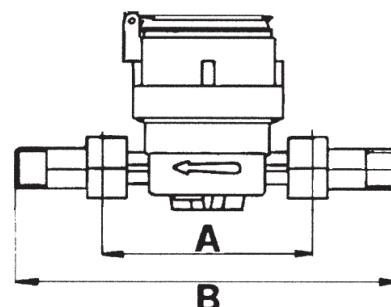


DALC
DN 25 / 30 / 40

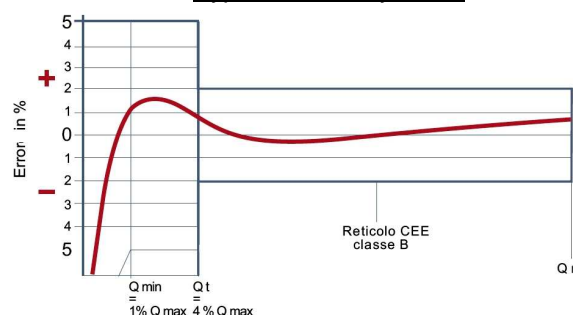
Technical features:

- SINGLE Jet water meter, dry-dial, for hot water up to 90°C
- Direct reading 5-digit roller counter
- Include reed impulse output: max voltage 24V, max current 0,5A, max power 10W/VA
- For cloudy, calcareous water with suspended sediments: a completely dry and unsubmerged register
- Installation for GSD5 and USLC series: horizontal (class B) and vertical (class A)
- Installation for DALC series: only horizontal (class B)
- C.E.E. homologation under directive n.75/33

DN size			13	20	25	30	40
Qmax	Maximum flow rate for few minutes	m ³ /h	3	5	7	10	20
Qn	Nominal continuous flow rate	m ³ /h	1,5	2,5	3,5	5	10
Qt	Minimum flow rate with ±2% error	l/h	120	200	280	400	800
Qmin	Minimum flow rate with ±5% error	l/h	30	50	70	100	200
	Starting flow	l/h	5	8	13	13	18
	Working pressure	bar	16	16	16	16	16
	Length without pipe fittings A	mm	110	130	160	160	200
	Length with pipe fittings B	mm	190	228	260	280	340



Typical accuracy curve





TURBINE WATER METER FOR CLEAR WATER GMDX - IALC SERIES



GMDX

DN 25 / 30 / 40 / 50

Liters/impulse: 1-10-100-1000
Cable length: 3 meters



IALC

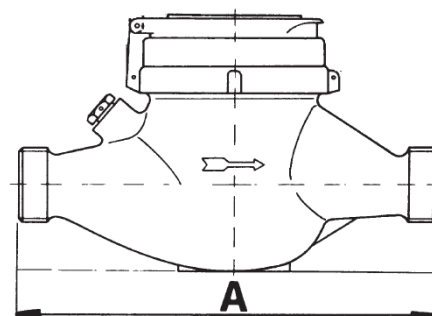
DN 25 / 30 / 40 / 50

Liters/impulse: 0,25-0,5-1-2,5-5-10-25-50-100-250-500-1000
Cable length: 2 meters

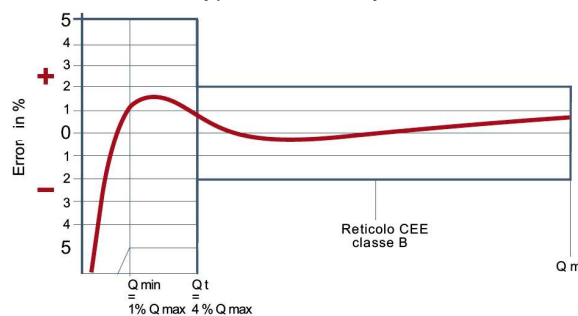
Technical features:

- MULTIPLE Jet water meter, dry-dial, for hot water up to 90°C
- Direct reading 5-digit roller counter
- Include reed impulse output: max voltage 24V, max current 0,5A, max power 10W/VA
- For cloudy, calcareous water with suspended sediments: a completely dry and unsubmerged register
- Installation: only horizontal (class B)
- C.E.E. homologation under directive n.75/33

DN size			25	30	40	50
Qmax	Maximum flow rate for few minutes	m ³ /h	7	10	20	30
Qn	Nominal continuous flow rate	m ³ /h	3,5	5	10	15
Qt	Minimum flow rate with ±2% error	l/h	280	400	800	3000
Qmin	Minimum flow rate with ±5% error	l/h	70	100	200	450
	Starting flow	l/h	22	22	50	60
	Working pressure	bar	16	16	16	16
	Length without pipe fittings A	mm	260	260	300	300
	Length with pipe fittings	mm	360	380	440	460



Typical accuracy curve





TURBINE HEAT METER FOR CLEAR WATER CALC - CSLC SERIES



CSLC
DN 13 / 20



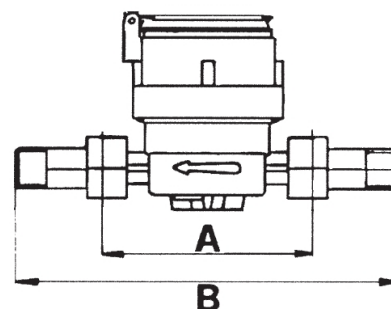
CALC
DN 25 / 30 / 40 / 50FLA

Liters/impulse: 0,25-0,5-1-2,5-5-10-25-50-100-250-500-1000
Cable length: 3 meters

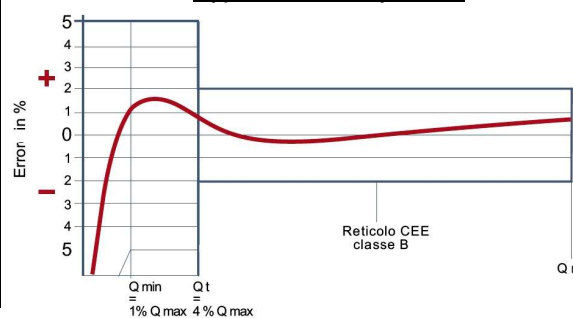
Technical features:

- SINGLE Jet (CSLC) or MULTI Jet (CALC) water meter, dry-dial, for hot water up to 120°C
- Direct reading 5-digit roller counter
- Include reed impulse output: max voltage 24V, max current 0,5A, max power 10W/VA
- For cloudy, calcareous water with suspended sediments: a completely dry and unsubmerged register
- Installation for CSLC series: horizontal (class B) and vertical (class A)
- Installation for CALC series: only horizontal (class B)
- C.E.E. homologation under directive n.75/33

DN size			13	20	25	30	40	50
Qmax	Maximum flow rate for few minutes	m ³ /h	3	5	7	10	20	15
Qn	Nominal continuous flow rate	m ³ /h	1,5	2,5	3,5	5	10	15
Qt	Minimum flow rate with ±2% error	l/h	120	200	280	400	800	1500
Qmin	Minimum flow rate with ±5% error	l/h	30	50	70	100	200	200
	Starting flow	l/h	5	8	13	13	18	16
	Working pressure	bar	16	16	16	16	16	270
	Length without pipe fittings A	mm	110	130	160	160	200	-
	Length with pipe fittings B	mm	190	228	260	280	340	



Typical accuracy curve





WOLTMANN WATER METER FOR CLEAR WATER WDEK30 SERIES



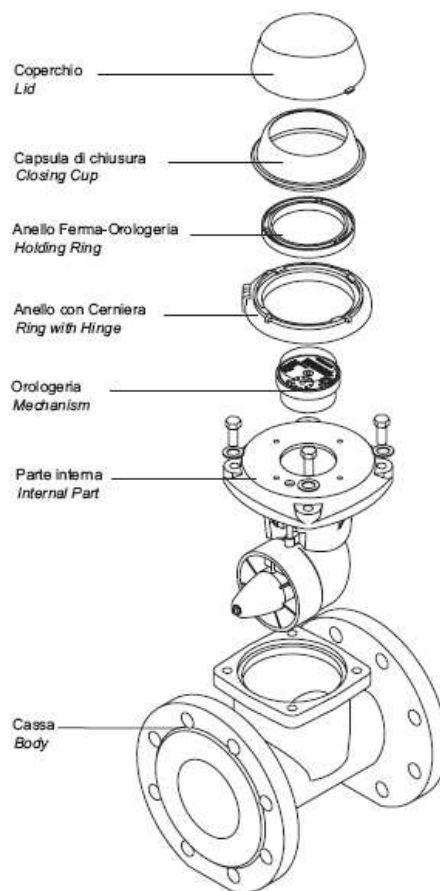
WDEK30

DN 50 / 65 / 80 / 100 / 125 / 150 / 200

Technical features:

- Woltmann water meter with dry-dial and removable/replaceable measuring elements
- Ready for reed impulse output or Namur (100-1000 liters/impulse)
- Direct reading counter
- Available for cold water 30°C and hot water 90°C
- Installation: horizontal (class B) or vertical (class A)

DN calibro			50	65	80	100	125	150	200
Qmax	Maximum flow rate for few minutes	m ³ /h	30	50	80	120	200	300	500
Qn	Nominal continuous flow rate	m ³ /h	15	25	40	60	100	150	250
Qt	Minimum flow rate with ±2% error	m ³ /h	3	5	8	12	20	30	50
Qmin	Minimum flow rate with ±5% error	m ³ /h	0,45	0,75	1,2	1,8	3	4,5	7,5
	Working pressure	bar	16	16	16	16	16	16	16
	Minimum dial reading	lt	2	2	2	2	20	20	20
	Length L	mm	200	200	225	250	250	300	350
	Weight	Kg	12,5	14	15	18	20	31,5	46



Typical accuracy curve

