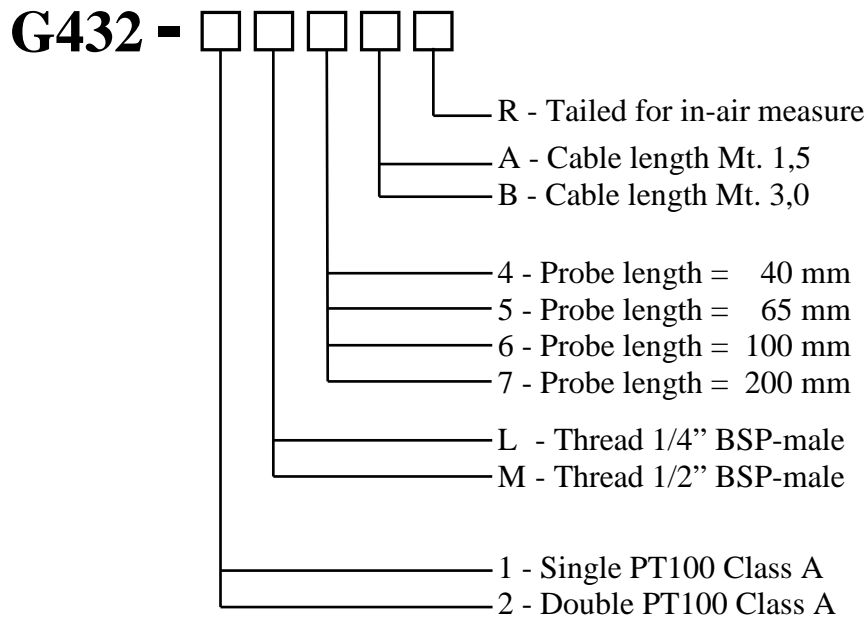
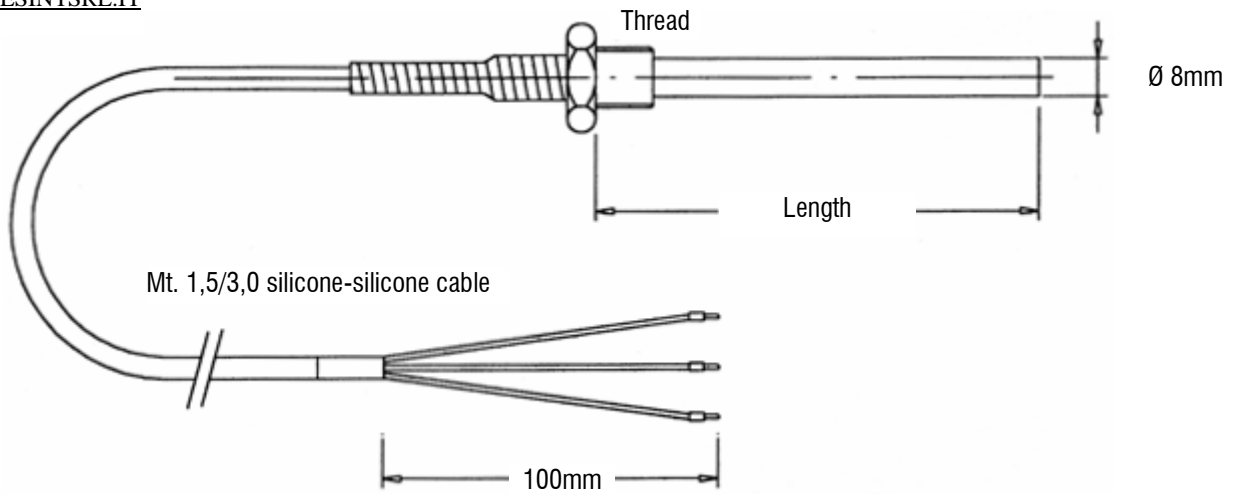




GESINT[®]
WWW.GESINTSRL.IT

PT100 ohm 0°C resistor thermometers (cl.A IEC751)

G432



(MgO version on request)

This silicone cable probe is suitable for immersion survey. It has an IP65 protection degree, sheat is made with AISI316L (ASTM-A479-Last Version) and has a good resistance to vibrations.

Connection: 3 or 6 terminals
Maximum temperature: 160°C
Maximum pressure: 8 Bar