

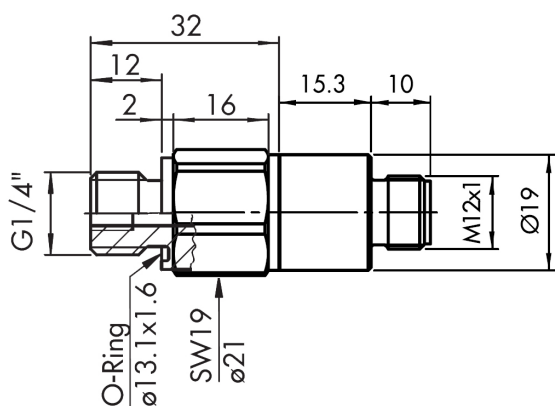


NAT

Pressure transmitter



Dimensions



Pressure ranges

Range (BAR)	Max. overpressure	Max burst pressure
0 ... 2,5	5	50
0 ... 4	8	60
0 ... 6	12	100
0 ... 10	20	200
0 ... 16	32	200
0 ... 25	50	300
0 ... 40	80	300
0 ... 60	120	400
0 ... 100	200	500
0 ... 160	320	750
0 ... 250	500	1000
0 ... 400	800	1500
0 ... 600	1000	2000

Technical data

MAIN CHARACTERISTICS

Sensor: Thin film on steel, completely welded steel sensor system without additional seals
 Measuring range: 0...2.5 to 0...600 bar relative
 Signal output: 4...20mA, 0...10VDC, 0...5VDC, 1...6VDC
 NLH (BSL through 0): ± 0.3 % FS typ.
 Applications: Machine tools, Hydraulics, HVAC, Refrigeration, Process technology, Water treatment

ELECTRICAL DATA

Output/Supply voltage: 4...20 mA: 24 (9...32) VDC
 0...5 VDC: 24 (9...32) VDC
 1...6 VDC: 24 (9...32) VDC
 0...10 VDC : 24 (15 ...32) VDC
 Rise time: typ. 1 ms/10...90% nominal pressure
 Switch-on delay: 1 sec

ENVIRONMENTAL CONDITIONS

Operating temperature: -25...+85°C
 Media temperature: -25...+125°C
 Protection: min. IP65
 Humidity: max. 95% relative
 Vibration: 25g (20...2000 Hz)
 Shock: 100g/11 ms

EMC PROTECTION

Emission: EN /IEC 61000-6-4
 Immunity: EN /IEC 61000-6-2

MECHANICAL DATA

Material Sensor: 1.4542 (AISI630)
 Housing: 1.4301 (AISI304)
 Process connection: G1/4"
 O-Ring: NBR
 Mounting torque: 25 Nm
 Weight: appr. 50 g

Electrical wiring

Protection	IP65	IP67
Execution	Industrial standard	M12x1+ shielded 4-pol. cable
Output		
<p>4-20mA</p>	<p>2</p> <p>1</p> <p>⊕</p>	<p>1 Brown</p> <p>3 Blue</p> <p>4 Black</p>
<p>0-10Vdc, 0-5Vdc, 1-6Vdc</p>	<p>1</p> <p>2</p> <p>3</p> <p>⊕</p>	<p>1 Brown</p> <p>2 White</p> <p>3 Blue</p> <p>4 Black</p>



GESINT.
 WWW.GESINTSRL.IT

GESINT S.R.L.

Via Perosi, 5
 20010 Bareggio (MI) - ITALY
 Tel. +39-02-9014633
 Mobile +39-335-6282615
 Fax +39-02-90362295
 E-mail: info@gesintsrl.it