

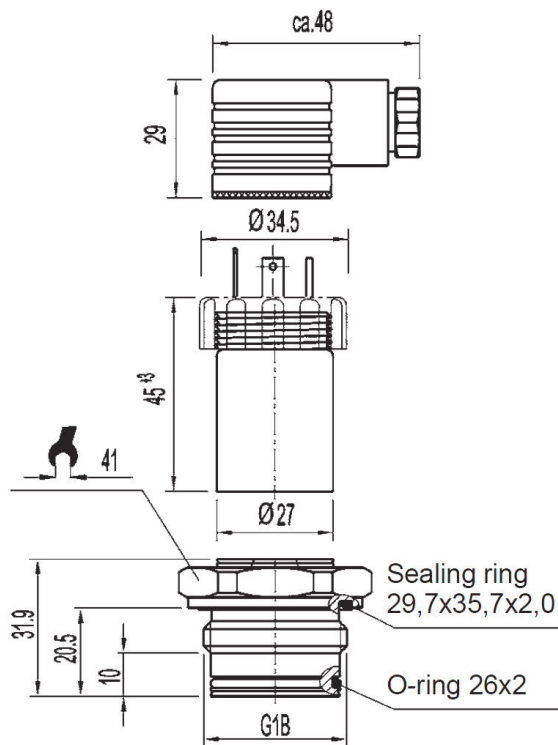


S11

Flush diaphragm pressure transmitter



Dimensions



Pressure ranges

Range (BAR)	Max. overpressure	Max burst pressure
0 ... 0.1	1	2
0 ... 0.16	1.5	2
0 ... 0.25	2	2.4
0 ... 0.4	2	2.4
0 ... 0.6	4	4.8
0 ... 1.0	5	6
0 ... 1.6	10	12

Technical data

MAIN CHARACTERISTICS

Sensor: Stainless steel flush diaphragm
 Measuring range: 0...100 to 0...1600 mBar relative
 Signal output: 4...20mA, 0...10VDC, 0...5VDC, ± 0.5 % FS typ.
 NLH (BSL through 0):
 Applications: Hydraulics, HVAC, Refrigeration, Process technology, Water treatment

ELECTRICAL DATA

Output/Supply voltage: 4...20 mA: 24 (10...30) VDC
 0...5 VDC: 24 (10...30) VDC
 0...10 VDC : 24 (14 ...30) VDC
 Rise time: typ. 1 ms/10...90% nominal pressure

ENVIRONMENTAL CONDITIONS

Operating temperature: -20...+80°C
 Media temperature: -30...+100°C
 Protection: IP65
 Vibration: 20g according to IEC60068-2-6
 Shock: 1000g according to IEC60068-2-27

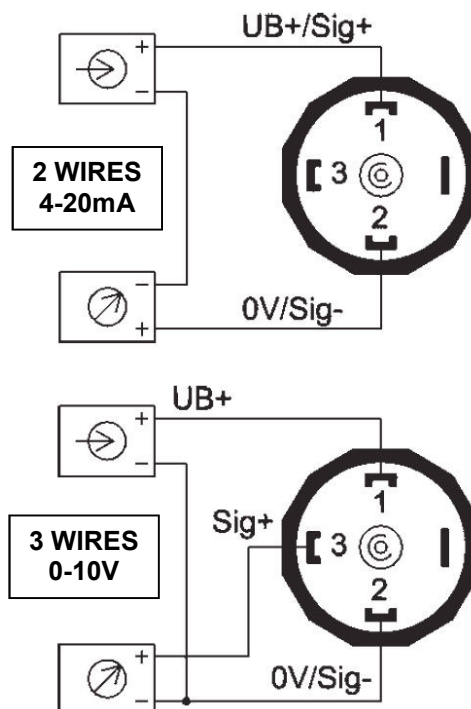
EMC PROTECTION

Emission: 89/336/EEC
 Immunity: according to EN61326

MECHANICAL DATA

Material Sensor: Stainless steel
 Housing: Stainless steel
 Internal transmission fluid: Synthetic oil
 Process connection: G 1"
 O-Ring: NBR
 Connector: DIN43650-A
 Weight: appr. 200 g

Electrical wiring



GESINT S.R.L.
 Via Perosi, 5
 20010 Bareggio (MI) - ITALY
 Tel. +39-02-9014633
 Mobile +39-335-6282615
 Fax +39-02-90362295
 E-mail: info@gesintsrl.it