

# Electronic pressure switch with display Model PSD-4

WIKA data sheet PE 81.86



## Applications

- Machine tools
- Hydraulics and pneumatics
- Pumps and compressors
- Special-purpose machine building

## Special features

- Easily readable, robust digital display
- Intuitive and fast setup
- Easy and flexible mounting configurations
- Flexibly configurable and scalable output signals



Electronic pressure switch, model PSD-4

## Description

### Leading in design and functionality

The model PSD-4 pressure switch represents the extensive further development of the PSD-30 pressure switch, itself already awarded with the “iF product design award” for its outstanding functionality. A high accuracy of 0.5 %, freely configurable output signals (PNP/NPN, 4 ... 20 mA/0 ... 10 V), the 5:1 scalability of the analogue output, in addition to outstanding self-diagnostics, make the PSD-4 an excellent automation solution.

### Customised installation

The installation of the PSD-4 can be flexibly adapted to the individual mounting situation. Due to the almost unlimited rotation of the digital display and case by more than 300°, the digital display can be adjusted independently of the electrical connection. The digital display can thus always be aligned to face the operator, and the M12 x 1 connection positioned to suit the desired cable routing.

### High quality

During development of the WIKA switch family a high value was placed on a robust design and the selection of appropriate materials suited to machine-building applications. For this reason the case and the threaded connection of the electrical connector are made from stainless steel. Overwinding or tearing off the connector is therefore virtually impossible.

### IO-Link 1.1

With the optional output signal in accordance with the IO-Link communication standard, the PSD-4 allows a fast integration into modern automation systems. IO-Link offers simpler and faster installation, parameterisation and higher functionality for the PSD-4.

## Measuring ranges

Gauge pressure								
bar	0 ... 0.4 <sup>1)</sup>	0 ... 0.6 <sup>1)</sup>	0 ... 1 <sup>1)</sup>	0 ... 1.6 <sup>1)</sup>	0 ... 2.5	0 ... 4	0 ... 6	0 ... 10
	0 ... 16	0 ... 25	0 ... 40	0 ... 60	0 ... 100	0 ... 160	0 ... 250	0 ... 400
	0 ... 600	0 ... 1,000						
psi	0 ... 10 <sup>1)</sup>	0 ... 15 <sup>1)</sup>	0 ... 25 <sup>1)</sup>	0 ... 30 <sup>1)</sup>	0 ... 50	0 ... 100	0 ... 160	0 ... 200
	0 ... 300	0 ... 500	0 ... 1,000	0 ... 1,500	0 ... 2,000	0 ... 3,000	0 ... 5,000	0 ... 7,500

Absolute pressure								
bar	0 ... 0.4 <sup>1)</sup>	0 ... 0.6 <sup>1)</sup>	0 ... 1 <sup>1)</sup>	0 ... 1.6 <sup>1)</sup>	0 ... 2.5	0 ... 4	0 ... 6	0 ... 10
	0 ... 16	0 ... 25						
psi	0 ... 10 <sup>1)</sup>	0 ... 15 <sup>1)</sup>	0 ... 25 <sup>1)</sup>	0 ... 30 <sup>1)</sup>	0 ... 50	0 ... 100	0 ... 160	0 ... 200
	0 ... 300							

Vacuum and +/- measuring range								
bar	-1 ... 0 <sup>1)</sup>	-1 ... +0.6 <sup>1)</sup>	-1 ... +1.5	-1 ... +3	-1 ... +5	-1 ... +9	-1 ... +15	-1 ... +24
psi	-14.5 ... 0 <sup>1)</sup>	-14.5 ... +15 <sup>1)</sup>	-14.5 ... +30	-14.5 ... +50	-14.5 ... +100	-14.5 ... +160	-14.5 ... +200	-14.5 ... +300

1) Not available for G ½ flush process connection

The stated measuring ranges are also available in kg/cm<sup>2</sup> and MPa.

Special measuring ranges between 0 ... 0.4 and 0 ... 1,000 bar (0 ... 10 bis 0 ... 7,500 psi) are available on request.

Special measuring ranges have a reduced long-term stability and increased temperature errors.

### Overload safety

The overload safety is based on the sensor element used. Dependent on the selected process connection and the sealing, restrictions in overload safety can result.

≤ 600 bar (< 8,000 psi): 2 times

> 1,000 bar (≥ 8,000 psi): 1.5 times

### Increased overload safety (option)

With increased overload safety there are deviations in temperature error, signal noise and long-term stability.

### Vacuum-tight

Yes

## Digital display

14-segment LED, red, 4-digit, 9 mm (0.35 in) character size

Display can be turned electronically by 180°

## Output signals

Switching output		Analogue signal
SP1	SP2	
PNP/NPN	-	4 ... 20 mA (3-wire)
PNP/NPN	-	DC 0 ... 10 V (3-wire)
PNP/NPN	-	4 ... 20 mA / DC 0 ... 10 V (3-wire)
PNP/NPN	PNP/NPN	-
PNP/NPN	PNP/NPN	4 ... 20 mA (3-wire)
PNP/NPN	PNP/NPN	DC 0 ... 10 V (3-wire)
PNP/NPN	PNP/NPN	4 ... 20 mA / DC 0 ... 10 V (3-wire)

The switching outputs are configurable as PNP or NPN switches. The ability to switch between 4 ... 20 mA / DC 0 ... 10 V can be ordered as an option.

### IO-Link, version 1.1 (option)

IO-Link is optionally available for all output signals.

### Zero offset adjustment

max. 3 % of span

### Damping of analogue output/switching outputs

configurable from 0 ms ... 65 s

### Switch-on time

1 s

### Switching thresholds

Switch point 1 and switch point 2 are individually adjustable

### Switching functions

Normally open, normally closed, window, hysteresis  
Freely adjustable

### Switching voltage

Power supply - 1 V

### Switching current

max. 250 mA

### Settling time/response time

Analogue signal:  $\leq 5$  ms

Switching output:  $\leq 5$  ms

### Load

Analogue signal 4 ... 20 mA:  $\leq 500 \Omega$

Analogue signal DC 0 ... 10 V:  $>$  max. output voltage / 1 mA

### Service life

100 million switching cycles

## Voltage supply

### Power supply

DC 15 ... 35 V

### Current consumption

max. 45 mA for versions without 4 ... 20 mA output signal  
max. 70 mA for versions with 4 ... 20 mA output signal

### Total current consumption

max. 600 mA including switching current

## Accuracy specifications

### Accuracy, analogue signal

$\leq \pm 0.5$  % of span

Including non-linearity, hysteresis, zero offset and end value deviation (corresponds to measured error per IEC 61298-2).

#### ■ Non-repeatability:

$\leq 0.1$  % of span (IEC 61298-2)

#### ■ Long-term drift:

$\leq \pm 0.1$  % of span (IEC 61298-2)

$\leq \pm 0.2$  % of span (IEC 61298-2) for measuring ranges

$\leq 0.6$  bar / 10 psi, flush process connection, increased overload safety

### Turndown

The analogue output signal is freely scalable within the range of 5:1

When setting turndown, there is a proportional increase in the measuring deviation and temperature error.

### Accuracy, switching output

$\leq \pm 0.5$  % of span

### Temperature error in rated temperature range

maximum:  $\leq \pm 1.5$  % of span

maximum:  $\leq \pm 2.5$  % of span for increased overload safety and flush versions

### Temperature coefficients in rated temperature range

Mean TC zero point:  $\leq \pm 0.16$  % of span/10 K

Mean TC span:  $\leq \pm 0.16$  % of span/10 K

## Reference conditions (per IEC 61298-1)

Temperature: 15 ... 25 °C (59 ... 77 °F)

Atmospheric pressure: 860 ... 1,060 mbar (12.5 ... 15.4 psi)

Humidity: 45 ... 75 % r. h.

Nominal position: Process connection lower mount

Power supply: DC 24 V

Load: see output signals

## Operating conditions

### Permissible temperature ranges

Medium: -20 ... +85 °C (-4 ... +185 °F)  
Ambient: -20 ... +80 °C (-4 ... +176 °F)  
Storage: -20 ... +70 °C (-4 ... +158 °F)  
Nominal temperature: 0 ... 80 °C (32 ... 176 °F)

### Humidity

45 ... 75 % r. h.

### Vibration resistance

20 g, 10 ... 2,000 Hz (IEC 60068-2-6, under resonance)

### Shock resistance

50 g, 6 ms (IEC 60068-2-27, mechanical)

### Service life, mechanics

100 million load cycles (10 million load cycles for measuring ranges > 600 bar/7,500 psi)

### Ingress protection

IP65 and IP67

The stated ingress protection (per IEC 60529) only applies when plugged in using mating connectors that have the appropriate ingress protection.

### Mounting position

as required

## Materials

### Wetted parts

< 10 bar (150 psi): 316L  
≥ 10 bar (150 psi): 316L, PH grade steel

### Non-wetted parts

Case: 304  
Keyboard: TPE-E  
Display window: PC  
Display head: PC+ABS blend

Pressure transmission medium:

Synthetic oil for all gauge pressure measuring ranges < 10 bar (150 psi) <sup>1)</sup>, all absolute pressure measuring ranges and flush versions.

<sup>1)</sup> < 16 bar (250 psi) with increased overload safety

### Options for specific media

- Oil and grease free: Residual hydrocarbon: < 1,000 mg/m<sup>2</sup>
- Oxygen, oil and grease free:  
Residual hydrocarbon: < 200 mg/m<sup>2</sup>  
Packaging: Protection cap on the process connection  
Max. permissible temperature -20 ... +60 °C (-4 ... +140 °F)  
Available measuring ranges:  
0 ... 10 to 0 ... 1,000 bar (0 ... 150 to 0 ... 7,500 psi)  
-1 ... 9 to -1 ... 24 bar (-14.5 ... 160 to -14.5 ... 300 psi)  
Factory supplied without sealing  
Available process connections, see "Process connections"

## Process connections

Standard	Thread size	Overload limit	Sealing
DIN 3852-E	G ¼ A	1,000 bar (14,500 psi)	NBR (options: Without, FPM/FKM)
	G ½ A	1,000 bar (14,500 psi)	NBR (options: Without, FPM/FKM)
EN 837	G ⅛ B	400 bar (5,800 psi)	without (options: Copper, stainless steel)
	G ¼ B <sup>1)</sup>	1,000 bar (14,500 psi)	without (options: Copper, stainless steel)
	G ¼ female <sup>1)</sup>	1,000 bar (14,500 psi)	-
	G ½ B <sup>1)</sup>	1,000 bar (14,500 psi)	without (options: Copper, stainless steel)
	ANSI/ASME B1.20.1	¼ NPT <sup>1)</sup>	1,000 bar (14,500 psi)
	½ NPT <sup>1)</sup>	1,000 bar (14,500 psi)	-
ISO 7	R ¼ <sup>1)</sup>	1,000 bar (14,500 psi)	-
KS	PT ¼ <sup>1)</sup>	1,000 bar (14,500 psi)	-
-	G ¼ female (Ermeto compatible)	1,000 bar (14,500 psi)	-
	G ½ B flush	1,000 bar (14,500 psi)	NBR (option: FPM/FKM)

<sup>1)</sup> suitable for oxygen, oil and grease free.

Other connections on request.

### Restrictor (option)

For applications where pressure spikes can occur, the use of a restrictor is recommended. The restrictor narrows the pressure port to 0.3 mm and thus increases the resistance against pressure spikes.

## Electrical connections

### Connections

- Circular connector M12 x 1 (4-pin)
- Circular connector M12 x 1 (5-pin) <sup>1)</sup>

1) Only for version with two switching outputs and additional analogue signal

### Electrical safety

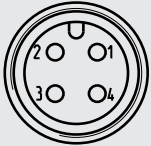
Short-circuit resistance: S+ / SP1 / SP2 vs. U-

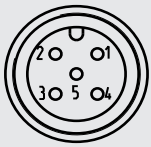
Reverse polarity protection: U+ vs. U-

Insulation voltage: DC 500 V

Overvoltage protection: DC 40 V

### Connection diagrams

Circular connector M12 x 1 (4-pin)		
	U+	1
	U-	3
	S+	2
	SP1 / C	4
	SP2	2

Circular connector M12 x 1 (5-pin)		
	U+	1
	U-	3
	S+	5
	SP1 / C	4
	SP2	2

#### Legend:

U+	Positive power supply terminal
U-	Negative power supply terminal
SP1	Switching output 1
SP2	Switching output 2
C	Communication with IO-Link
S+	Analogue output

## Approvals

Logo	Description	Country
	<b>EU declaration of conformity</b> <ul style="list-style-type: none"> <li>■ EMC directive</li> <li>■ Pressure equipment directive</li> <li>■ RoHS directive</li> </ul>	European Union
	<b>EAC</b> <ul style="list-style-type: none"> <li>■ EMC directive</li> </ul>	Eurasian Economic Community
	<b>UL</b> Safety (e.g. electr. safety, overpressure, ...)	USA and Canada

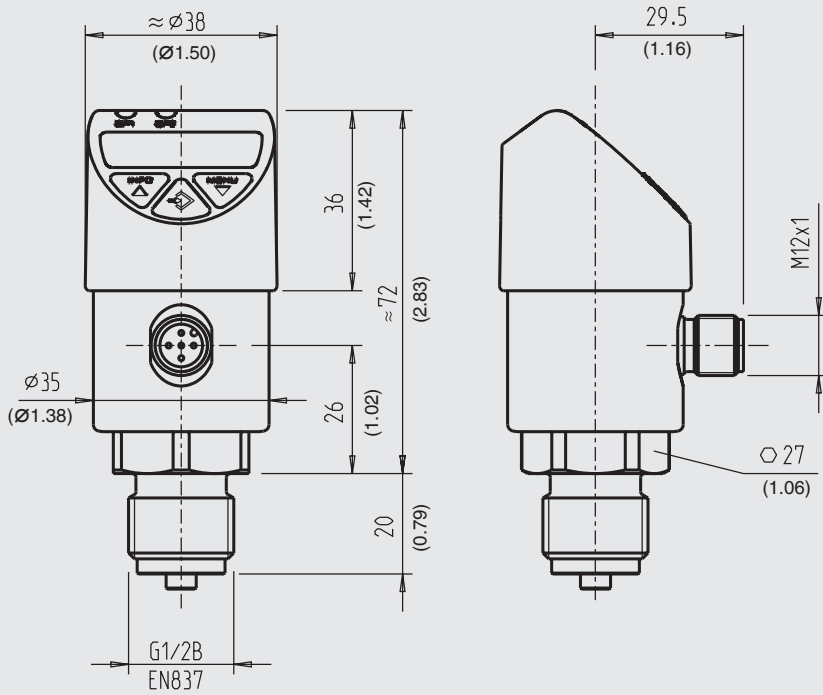
## Manufacturer's information and certifications

Logo	Description
	China RoHS directive
	MTTF > 100 years

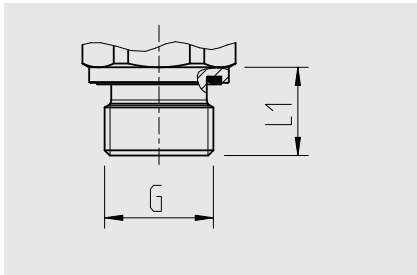
Approvals and certificates, see website

# Dimensions in mm (in)

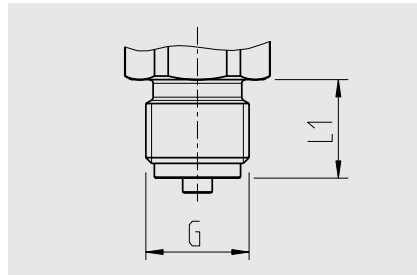
Pressure switch with circular connector M12 x 1 (4-pin and 5-pin)



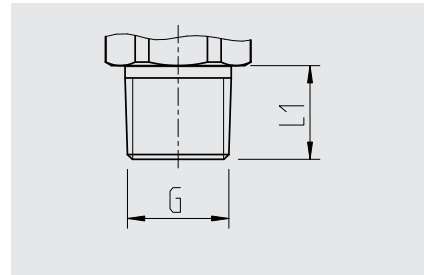
Weight: approx. 220 g (7.76 oz)



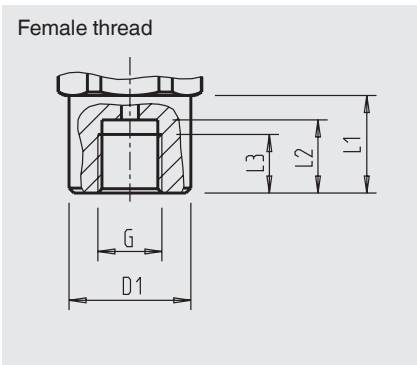
G	L1
G ¼ A DIN 3852-E	14 (0.55)
G ½ A DIN 3852-E	17 (0.67)



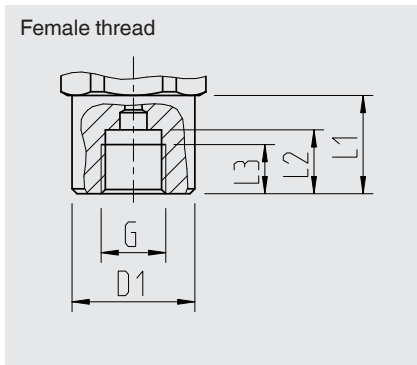
G	L1
G ¼ B EN 837	13 (0.51)
G ½ B EN 837	20 (0.79)



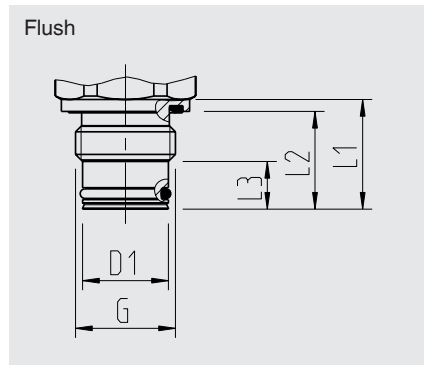
G	L1
¼ NPT	13 (0.51)
½ NPT	19 (0.75)
R ¼	13 (0.51)
PT ¼	13 (0.51)



G	L1	L2	L3	D1
G ¼ <sup>1)</sup>	20 (0.79)	15 (0.59)	12 (0.47)	Ø 25 (0.98)



G	L1	L2	L3	D1
G ¼ EN 837	20 (0.79)	13 (0.51)	10 (0.39)	Ø 25 (0.98)



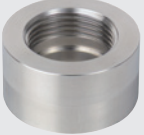
G	L1	L2	L3	D1
G ½ B <sup>2)</sup>	23 (0.91)	20.5 (0.81)	10 (0.39)	Ø 18 (0.71)

1) Ermeto compatible


2) Welding sockets recommended as defined counter-thread (see accessories)

## Accessories and spare parts



### Welding socket for flush process connections

	Description	Order no.
	G ½ B female, outer diameter 50 mm (2 in), material 1.4571	1192299


### Sealings

	Description	Order no.
	NBR profile sealing G ¼ A DIN 3852-E	1537857
	FPM/FKM profile sealing G ¼ A DIN 3852-E	1576534
	NBR profile sealing G ½ A DIN 3852-E	1039067
	FPM/FKM profile sealing G ½ A DIN 3852-E	1039075
	Copper G ¼ B EN 837	11250810
	Stainless steel G ¼ B EN 837	11250844
	Copper G ½ B EN 837	11250861
	Stainless steel G ½ B EN 837	11251042


### Connectors with moulded cable

	Description	Temperature range	Cable diameter	Order no.
	Straight version, cut to length, 4-pin, 2 m (6.6 ft) PUR cable, UL listed, IP67	-20 ... +80 °C (-4 ... 176 °F)	4.5 mm (0.18 in)	14086880
	Straight version, cut to length, 4-pin, 5 m (16.4 ft) PUR cable, UL listed, IP67	-20 ... +80 °C (-4 ... 176 °F)	4.5 mm (0.18 in)	14086883
	Straight version, cut to length, 4-pin, 10 m (32.8 ft) PUR cable, UL listed, IP67	-20 ... +80 °C (-4 ... 176 °F)	4.5 mm (0.18 in)	14086884
	Straight version, cut to length, 5-pin, 2 m (6.6 ft) PUR cable, UL listed, IP67	-20 ... +80 °C (-4 ... 176 °F)	5.5 mm (0.22 in)	14086886
	Straight version, cut to length, 5-pin, 5 m (16.4 ft) PUR cable, UL listed, IP67	-20 ... +80 °C (-4 ... 176 °F)	5.5 mm (0.22 in)	14086887
	Straight version, cut to length, 5-pin, 10 m (32.8 ft) PUR cable, UL listed, IP67	-20 ... +80 °C (-4 ... 176 °F)	5.5 mm (0.22 in)	14086888
	Angled version, cut to length, 4-pin, 2 m (6.6 ft) PUR cable, UL listed, IP67	-20 ... +80 °C (-4 ... 176 °F)	4.5 mm (0.18 in)	14086889
	Angled version, cut to length, 4-pin, 5 m (16.4 ft) PUR cable, UL listed, IP67	-20 ... +80 °C (-4 ... 176 °F)	4.5 mm (0.18 in)	14086891
	Angled version, cut to length, 4-pin, 10 m (32.8 ft) PUR cable, UL listed, IP67	-20 ... +80 °C (-4 ... 176 °F)	4.5 mm (0.18 in)	14086892
	Angled version, cut to length, 5-pin, 2 m (6.6 ft) PUR cable, UL listed, IP67	-20 ... +80 °C (-4 ... 176 °F)	5.5 mm (0.22 in)	14086893
	Angled version, cut to length, 5-pin, 5 m (16.4 ft) PUR cable, UL listed, IP67	-20 ... +80 °C (-4 ... 176 °F)	5.5 mm (0.22 in)	14086894
	Angled version, cut to length, 5-pin, 10 m (32.8 ft) PUR cable, UL listed, IP67	-20 ... +80 °C (-4 ... 176 °F)	5.5 mm (0.22 in)	14086896

**Cooling element for screwing G ½ female / G ½ male per EN 837  
(for instruments with process connection G ½ B per EN-837)**

	Description	Order no.
	Max. medium temperature 150 °C (302 °F) at an ambient temperature of max. 30 °C (86 °F) Max. operating pressure 600 bar (8,700 psi)	14109813
	Max. medium temperature 200 °C (392 °F) at an ambient temperature of max. 30 °C (86 °F) Max. operating pressure 600 bar (8,700 psi)	14109815

**Instrument mounting bracket**

	Description	Order no.
	Instrument mounting bracket for PSD-4, aluminium, wall mounting	11467887

**Ordering information**

Model / Measuring range / Output signal / Options for specific media / Process connection / Sealing

© 08/2017 WIKA Alexander Wiegand SE & Co. KG, all rights reserved.  
The specifications given in this document represent the state of engineering at the time of publishing.  
We reserve the right to make modifications to the specifications and materials.