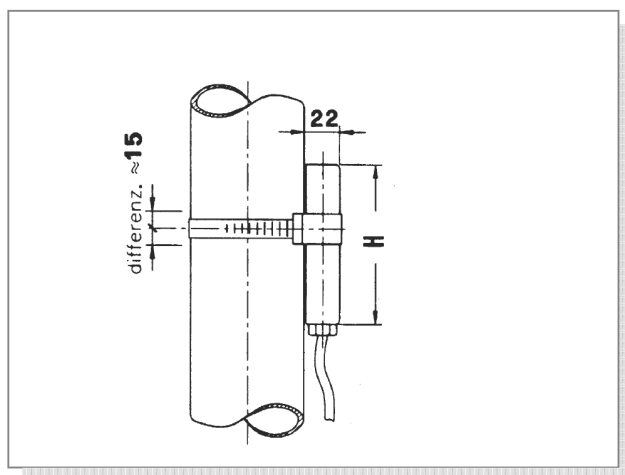


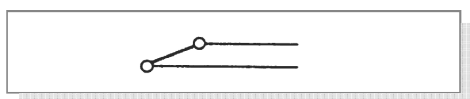
BISTABLE MAGNETIC SWITCH Mod. BMS1-FT

Magnetic switches are fastened to the level indicator by pipe clamps at the level required to control pumps motor operated, or solenoid valves etc. or to alarm limit levels.



Dimension: H = 100mm

WIRING DIAGRAM



The operating differential of a single switch is generally not large enough to control a pump, hence two switches over range of levels are normally applied, wired up with a circuit holder contact of the motor contactor.

SPECIFICATIONS

Contact: Reed Switch SPST Form
Function: On/Off BISTABLE
Enclosure: IP65
Switch Rating: Max 80 VA (Resist. Load)
Working Tension: 24...110V AC/DC
Advised Voltage: 24 VDC
Housing: Makrolon
Media Temperature: -40...150 °C
Cable: silicone, red 2x0,75mm²
Dimensions: 22x22x100 mm